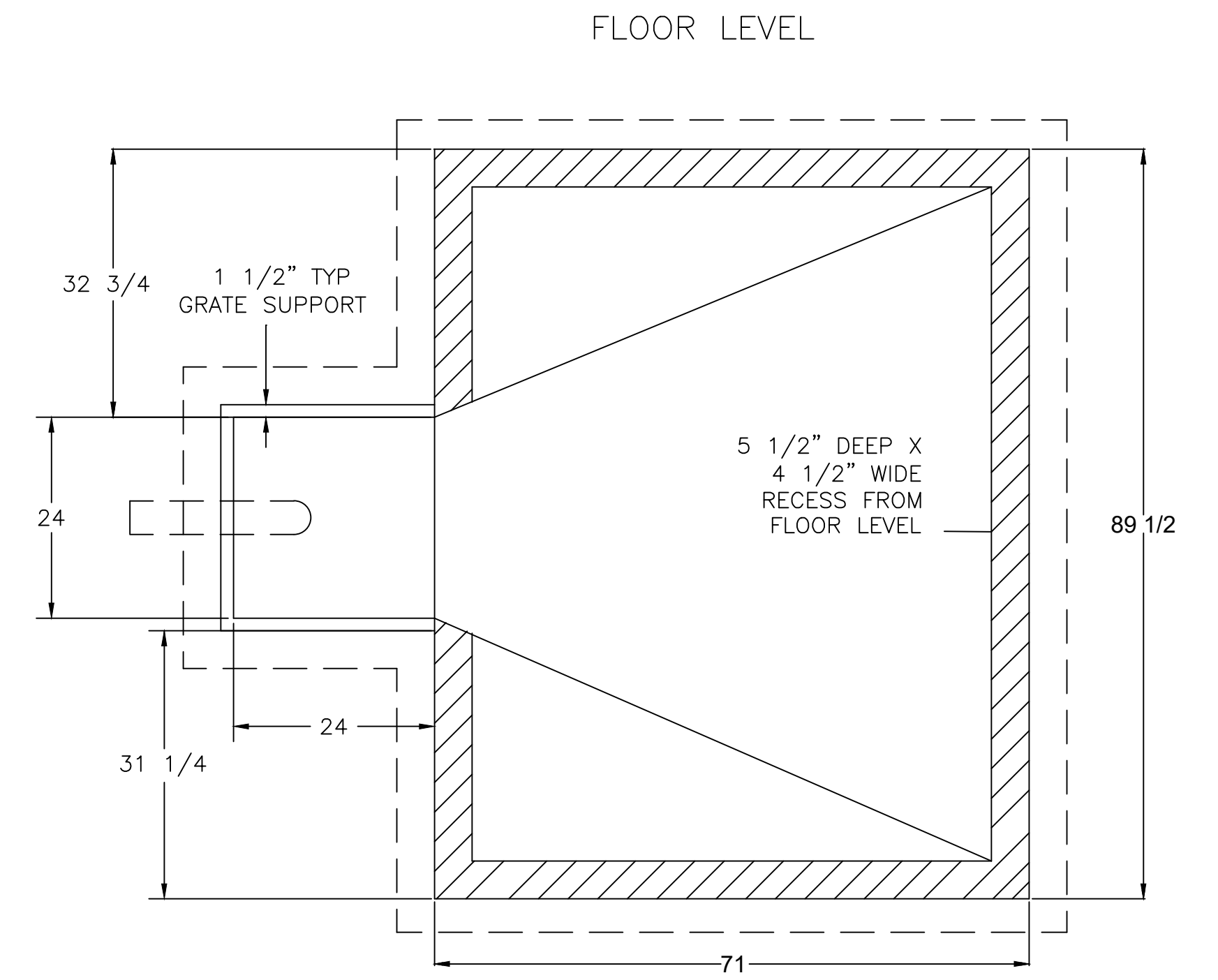
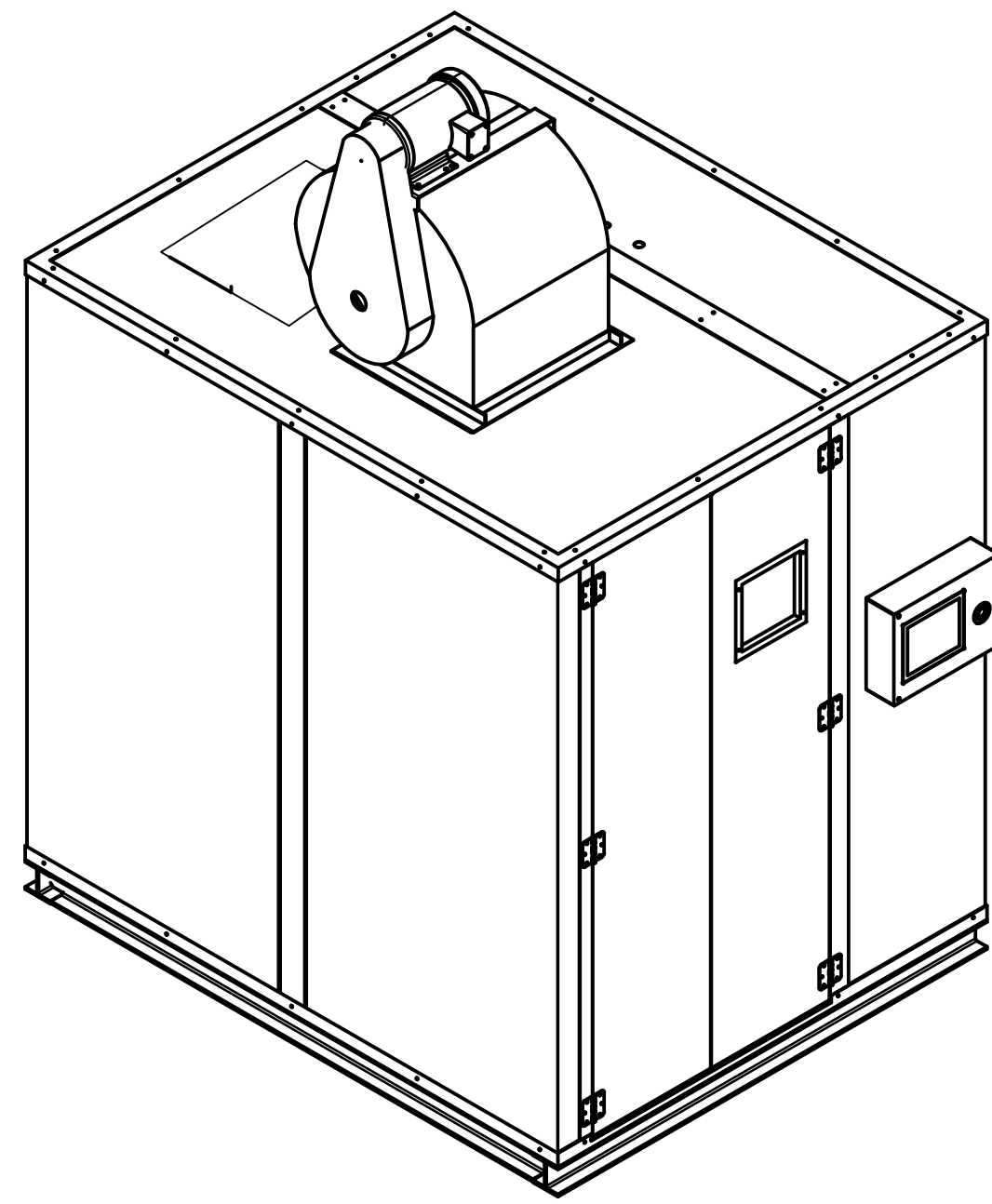
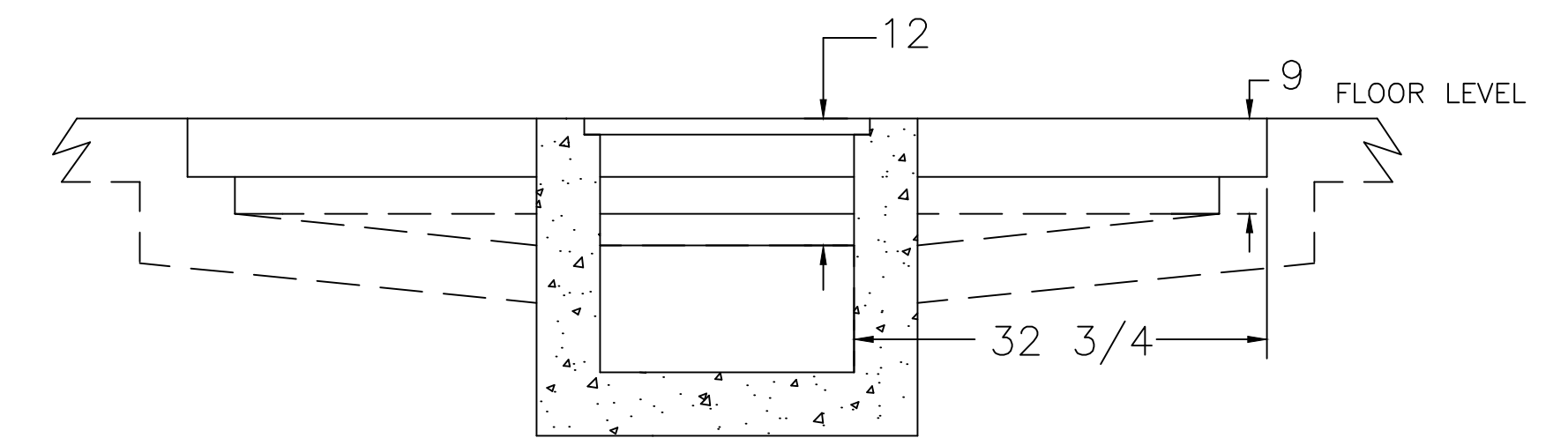
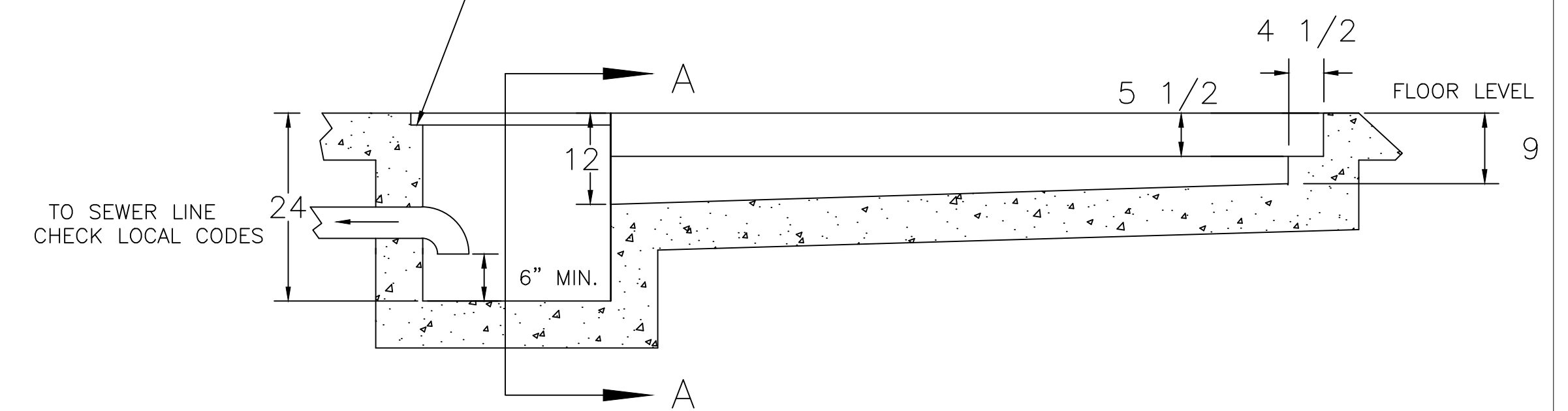


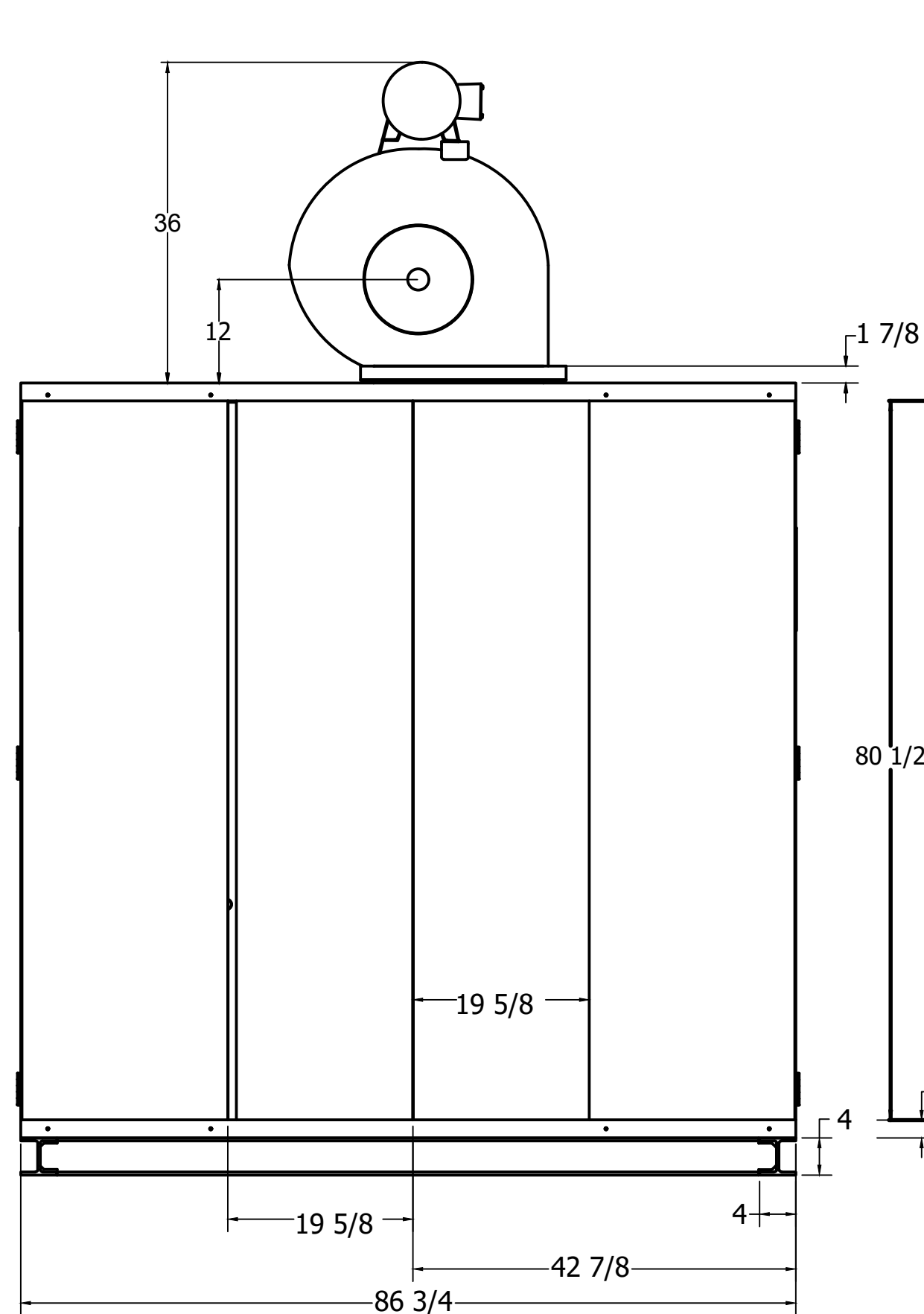
TOP VIEW



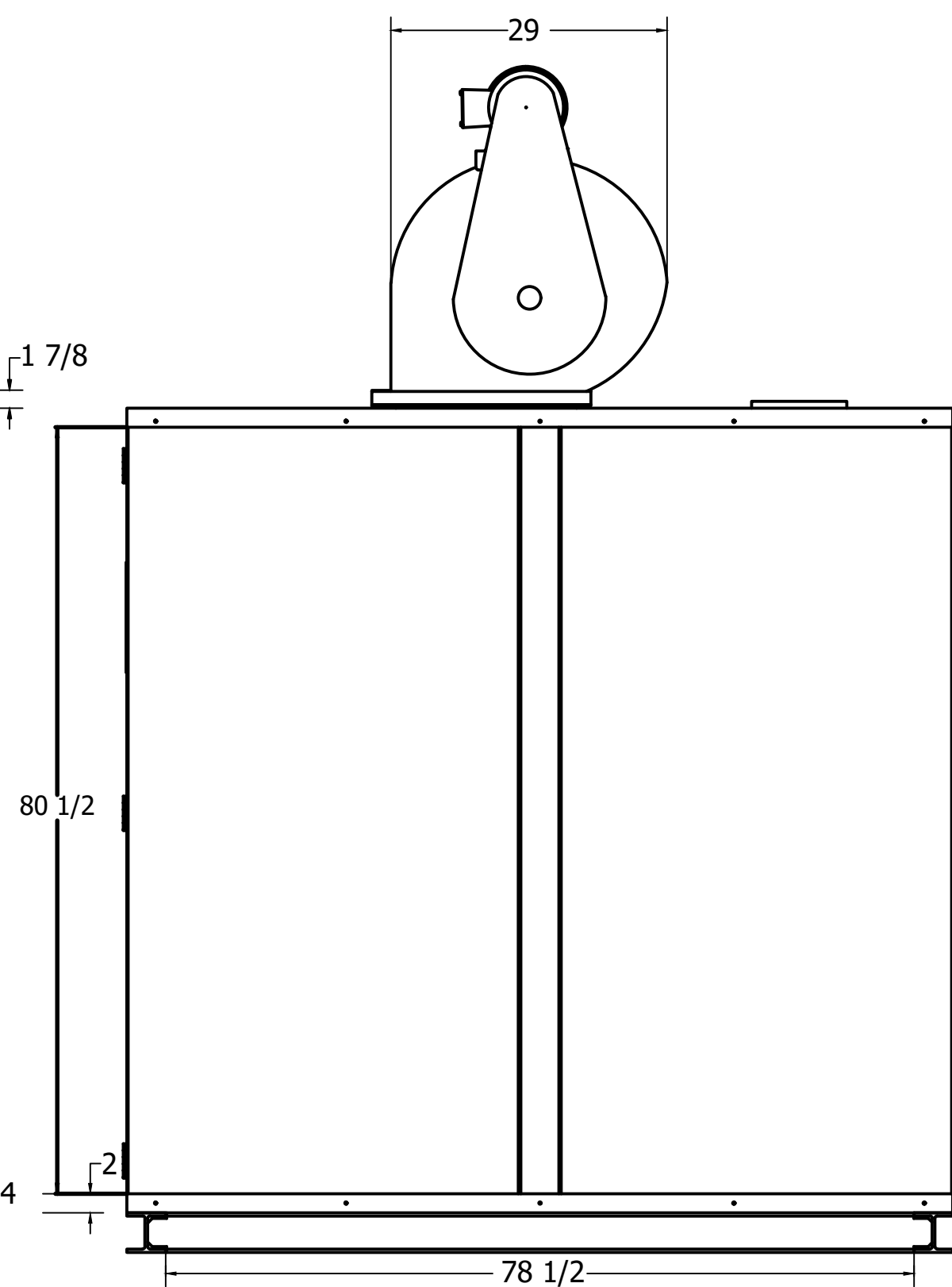
FORM 1 1/2" X 1 1/2" GRATE SUPPORT



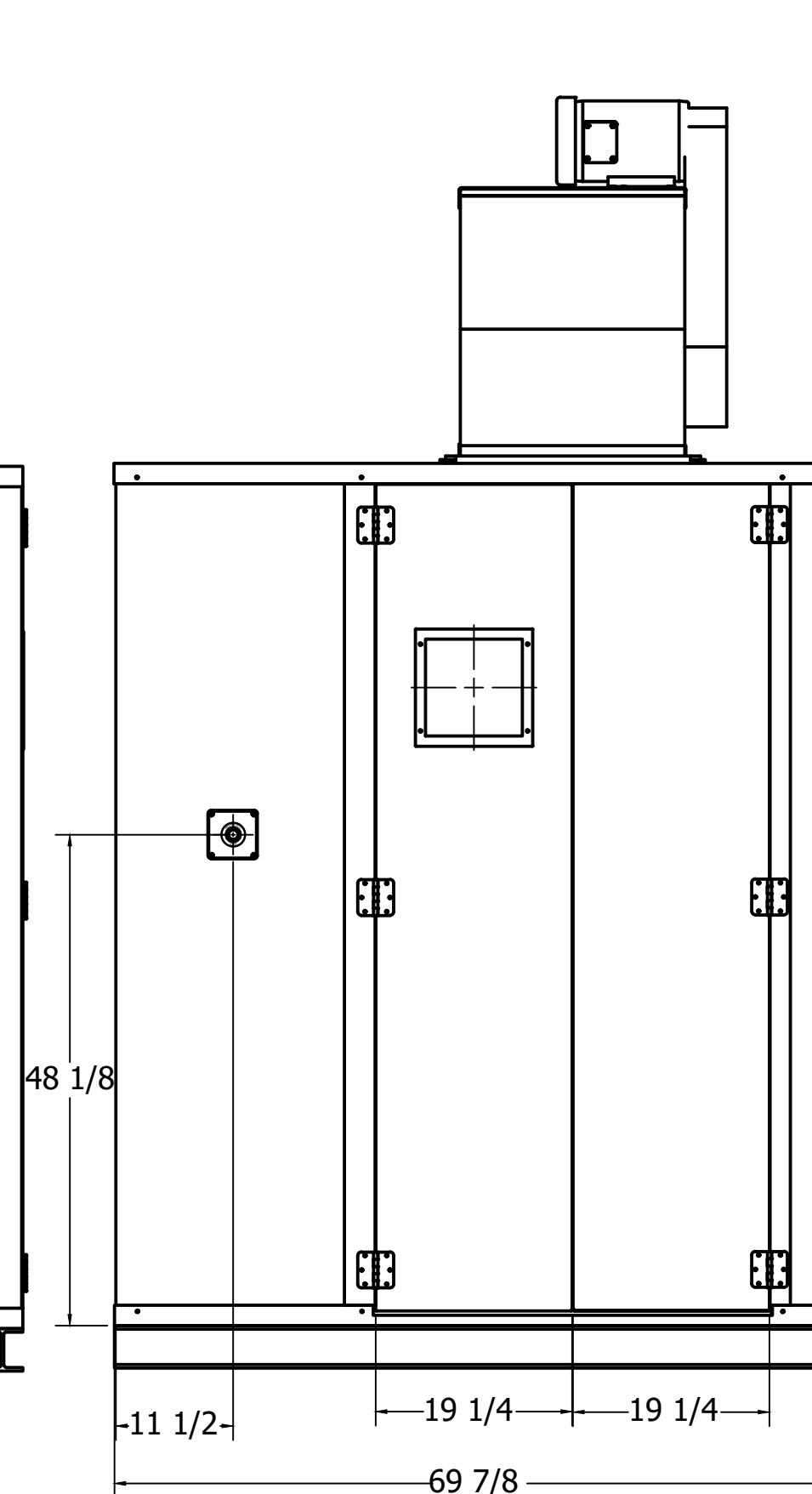
SECTION A-A



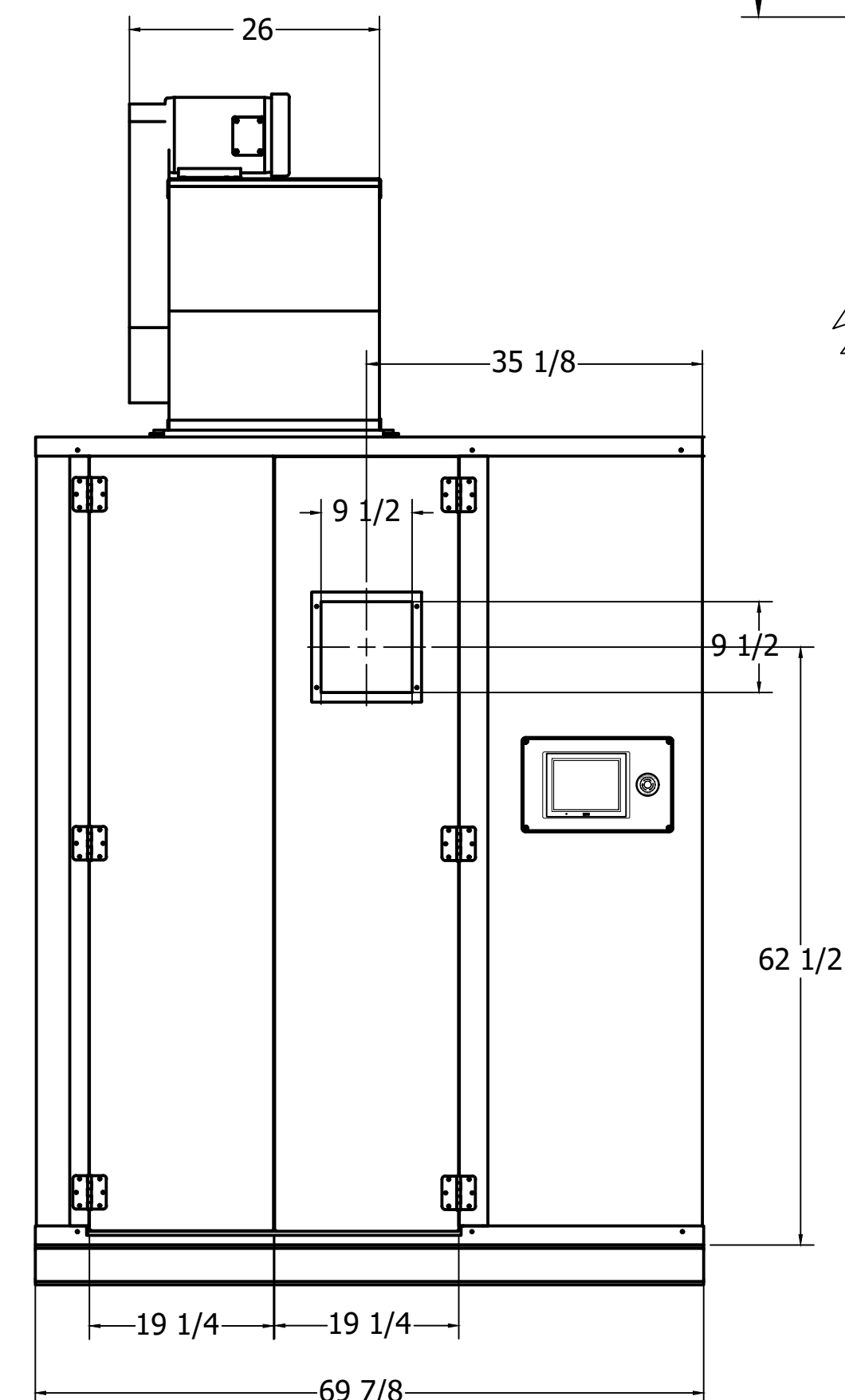
RIGHT VIEW



LEFT VIEW



BACK VIEW



FRONT VIEW

WATER SUPPLY	WS	1/2" NPT, 10 GPM @ 35 PSI
ELECTRICAL CONNECTION	E	20 FLA @ 480V/60Hz/3 PHASE
COMPRESSED AIR	AC	1/2" NPT, 2 CFM @ 80 PSI
OTHER VALUES PLEASE SEE INSTALLATION MANUAL		

MATERIAL	304 STAINLESS STEEL		<b>Energenics Corporation</b> 1470 Don Street Naples, Florida 34104 Phone: (239) 643-1711 Fax: (239) 643-6081 Website: energenics.com
DRAWN	BSL/JV	11/04/2024	
CHECKED	FS	11/06/2024	<b>STAINLESS STEEL KARTWASHER CLEAN CARTS</b>
QA/ENG.	JV		
MFG			
APPROVED			SIZE D SCALE 1:16 DIMENSIONS: INCHES SHEET 1 OF 1
			DWG NO KW_ASM_101-4R REV B