



[www.energenics.com](http://www.energenics.com)

---

1470 Don Street • Naples, Florida 34104

Telephone: (239) 643-1711  
Fax: (239) 643-6081  
Customer Service: (800) 944-1711

## **Installation & Operation Manual for Energenics AALF Lint Scrubbers – All Models**

Table of Contents	Page 1
Receiving and Installation	Page 2
Description of Lint Scrubber Operation	Page 3
Important Installation Considerations	Page 4
Typical Installation over Ironer/Folder – LS-6000	Page 5
Typical Installation over Ironer/Folder – LS-8000	Page 6
Dimensions – LS-3000 w/ Utilities	Page 7
Dimensions – Side View – LS-6000	Page 8
Dimensions – End View – LS-6000	Page 9
Dimensions – Side View – LS-8000	Page 10
Dimensions – End View – LS-8000	Page 11
Basic Lint Scrubber Control illustration	Page 12
Changing the Filter Media – All Models	Page 13
Filter Media Routing Diagram & Warning - LS-3000	Page 14
Filter Media Routing Diagram & Warning - LS-6000	Page 15
Filter Media Routing Diagram & Warning - LS-8000	Page 16
Warranty Statement	Page 17

## **Receiving and Installation**

1. Before you sign delivery documentation, please inspect all packaging to assure there is no freight damage. It is your responsibility because all shipments are FOB Factory. Once freight is on board, Energenics is released from all liability for damage caused in transit. Energenics will assist in the process of claims to the carrier for damages.
2. All packaging should be kept intact in the unlikely situation where the items have to be returned to the factory for warranty reasons. Some of the components are manufactured by others and they stipulate that all warranty items be packaged in the original materials. In the event that packaging is non-standard a 20% restocking fee shall be imposed as we will be expected to pay the manufacturer for non-compliance of their terms.
3. After removing 2 pads and wrap, place unit horizontally on flat surface. Do not lay unit on either end or in the upside down position.
4. After inspecting the unit for damage, feel free to sign delivery receipt.

## **Description of Lint Scrubber Operation**

### **AUTOMATIC OPERATION/ LS8000 & LS6000**

Your new Lint Scrubber has a UL® listed control. The Energenics control represents state of the art in the Laundry Industry for operations and safety.

The Lint Scrubber 8000 utilizes two ¾ HP vacuum blowers and the Lint Scrubber 6000 utilizes one ¾ HP vacuum blower to draw the lint filled air past filter media of 200 micron that layers the lint onto the surface of the media.

The filter media is made of flat bonded polyester and is specifically designed to collect lint and dust particles created by laundry textile handling operation.

When turned on the machine suctions the air-borne lint onto the screen. When the screen loads with lint and optimum air flow is being limited by the lint buildup, the pressure transducer signals the filter control and advances the filter material until enough clean screen allows the air flow to return to satisfactory levels.

The exhaust from the Lint Scrubber is directed vertically to assist in cleaning pipes, lights, and other devices overhead. Vertical exhaust will prevent the hot air from equipment to be exhausted toward production personnel.

The included 2-rolls of Lint Scrubber media will last approximately 6 months in normal operation. It is important to have a spare roll ready for immediate replacement.

Proper operation is noted when the green light is illuminated. During media advance the yellow light will also illuminate.

If the unit is very close to the sheets the draw maybe strong enough to lift the sheet off of the ironer. In this case the machine should be elevated higher.

### **MANUAL OPERATION / LS3000**

Turn the Lint Scrubber fans on by either pressing the power switch up or down. To advance the media depress the Manual Advance button. The button is a momentary switch and will only activate when depressed. The advance will stop when the button is released.

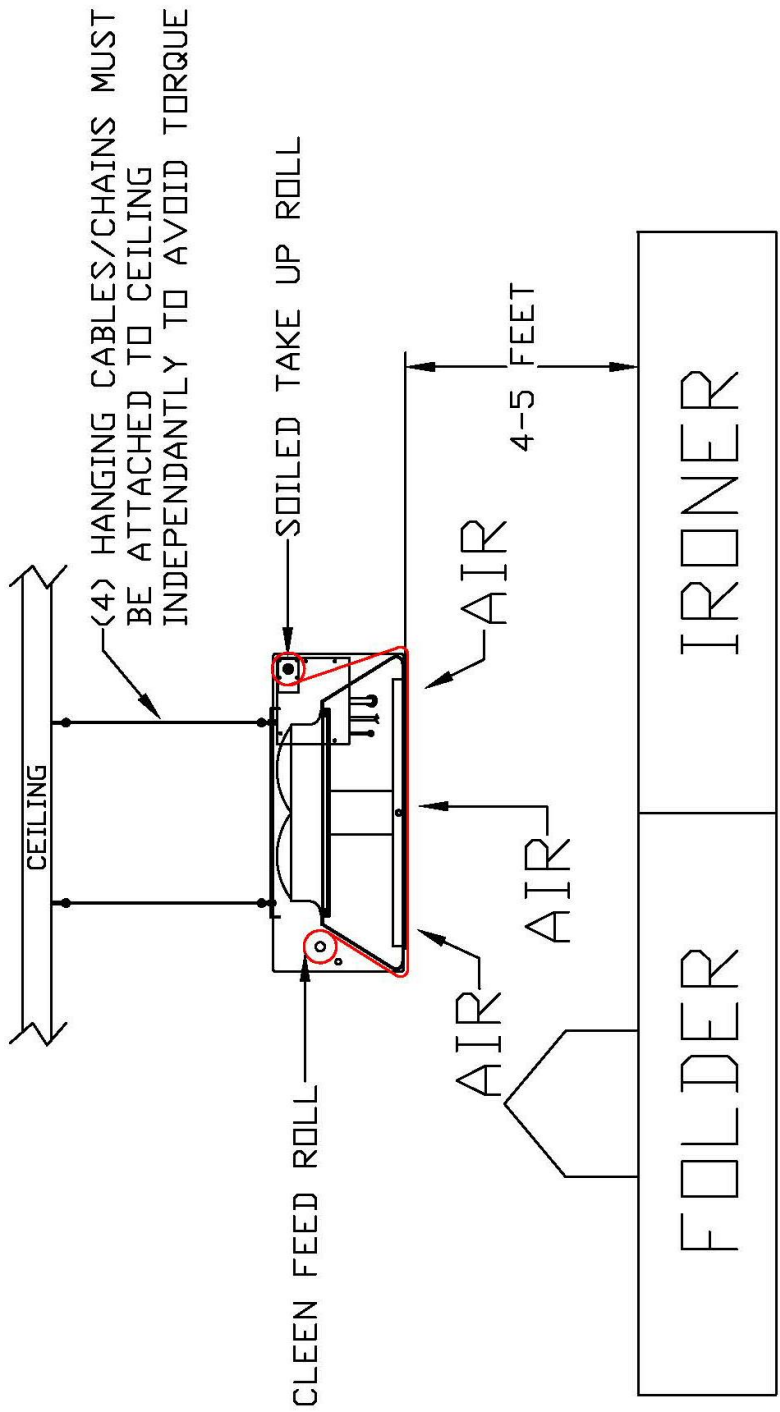
### **Important Installation Considerations LS8000 & LS6000**

1. Hang the Filter midway along the ironer/folder, approximately 4-5 feet above the equipment, and off center so that the Filter can be serviced by technician with ladder.
2. Suspend the filter with chain or cable capable of supporting 300 lbs at the 4 eye bolt connection points. Level the filter.
3. Complete the electrical connection, either by utilizing the attached plug or by rewiring to meet other local codes. Electrical 208-230/60/1 VAC  
11.5 AMPS
4. Note that the media is installed on the machine. The first three feet or so of the media may be damaged in shipment. Check for any holes or tears. If damage is noted, simply push the Manual Advance button and expose a new area of media and tighten the media on the filter.
5. It is important that the unit be accessible to a service tech to replace the media without removing the entire unit.
6. Turn the filter on and operate. Proper operation is indicated with the green light illuminated. During media advance the yellow light will illuminate also.

### **Important Installation Considerations LS3000**

1. This machine is effective to a radius of 15 feet. Place on wall using supplied wall mount bracket in an area where this consideration is most effective. Folding table and dryer discharge areas are most effective in OPL environments. If a small piece folder is used place as close to the discharge end of this machine.
2. Machine weight is 80lbs. It runs on 110/120V and draws 11.6 Amps.
3. The remote cord with on/off switch and manual advance should be in a location easily accessible for employees.
4. Turn the filter on and operate. Proper operation is indicated with the green light illuminated. During media advance the yellow light will illuminate also.

# LINT SCRUBBER 6000



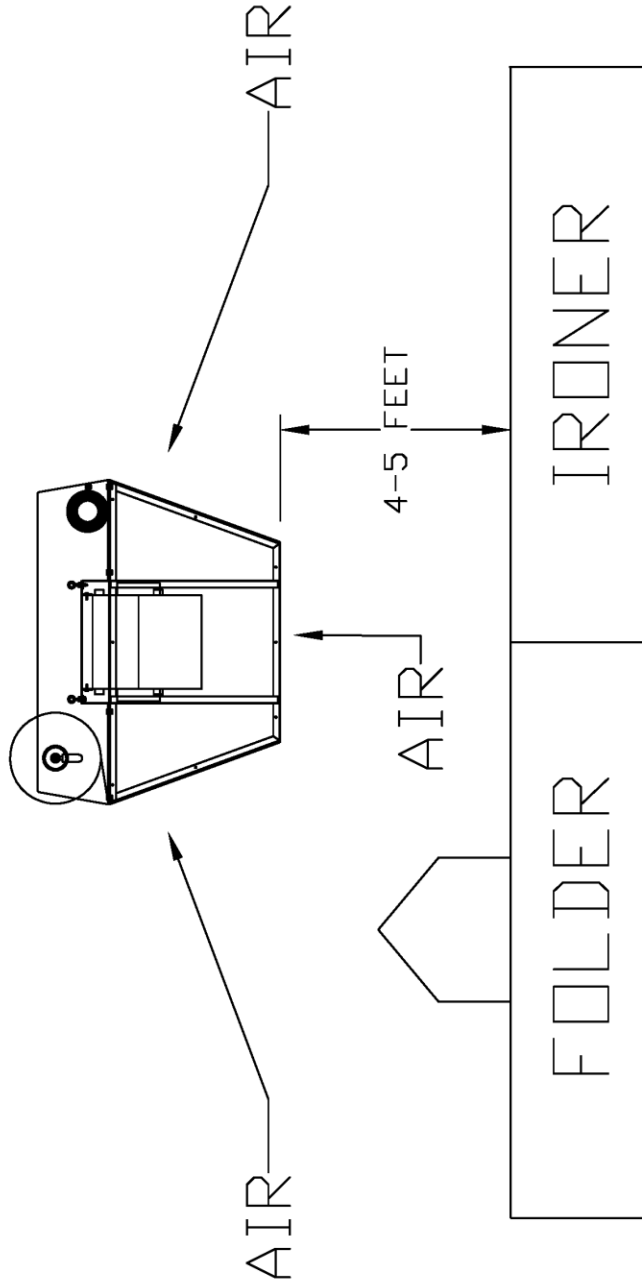
ENERGENICS CORPORATION  
 1470 Don Street  
 Naples Florida 34104 USA (800)944-1711  
 PH (239)643-1711  
 FAX (239)643-6081

NAME	DATE
RON	4-11
RON	5-13
SCALE:	20X

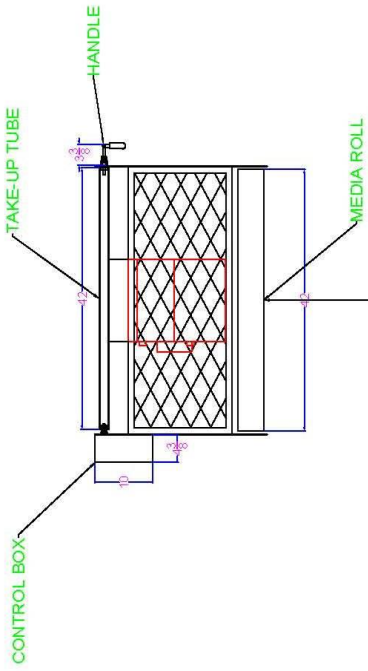
TITLE AALF-6000  
 INSTALLATION

Code File: Z:\DRAW\AALF\INSTALL-4

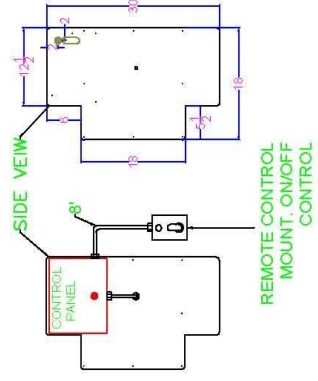
USED FILTER      NEW FILTER



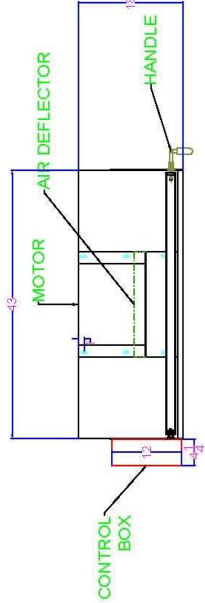
ENERGENICS CORPORATION		PH (239)643-1711	
1470 Don Street		FAX (239)643-6081	
Naples Florida 34104		USA (800)244-1711	
TITLE AALF		INSTALLATION	
NAME	DATE	Cod File: Z:\DRAW\AALF\INSTALL	
RON	6-06		
RON	10/08		
SCALE:	20X		



FRONT VIEW



TOP VIEW



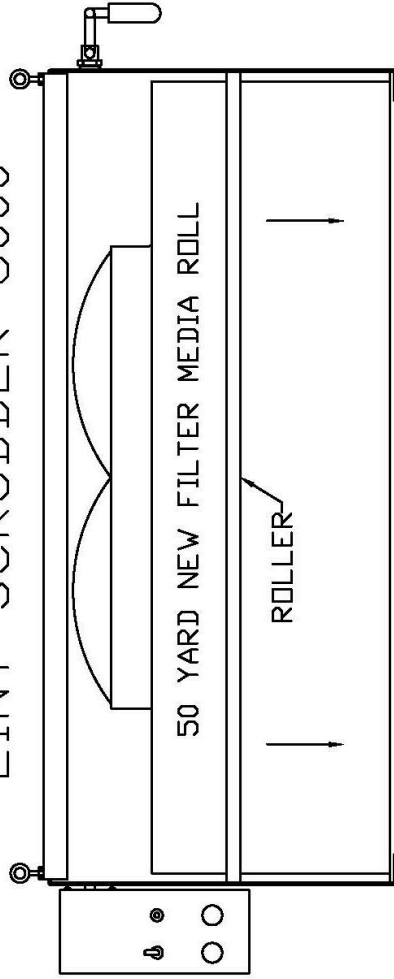
NOTES

- 1) Electrical specs are 120<sup>60</sup>/1 @ 11.6FLA or 230<sup>60</sup>/1 @ 4.6FLA
- 2) The standard mount is wall mount. (Optional is floor stand)
- 3) 110V has a 10' cord to plug into wall
- 4) Operating weight is 80lbs

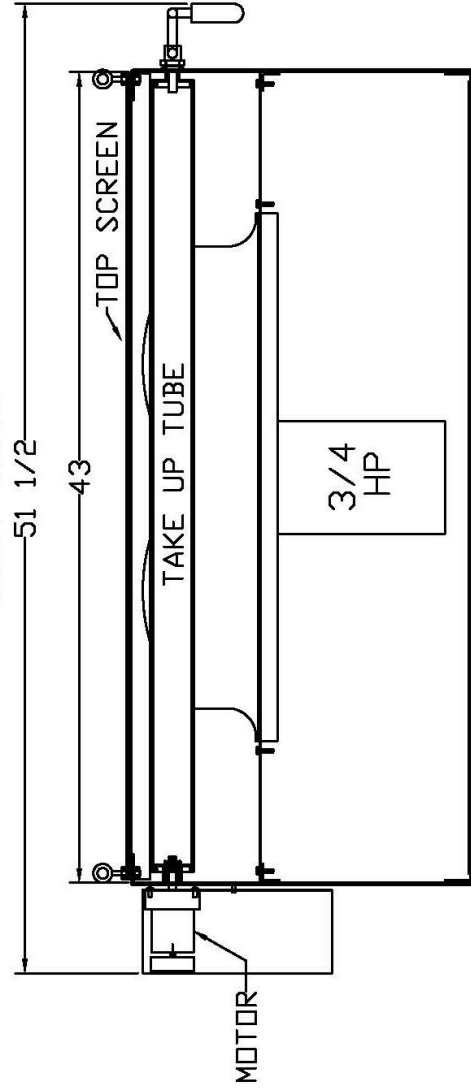
ENERGENICS CORPORATION  
 1470 Don Street  
 Naples, Florida 33942-3366  
 PH: (239)643-1711  
 USA 800-944-1711  
 WWW.ENERGENICS.COM

DRAWN BY:	JTH	NAME	JTH	DATE	07-07-15
ENGINEER:					
QUALITY					
MANUFACTURING:					
TITLE			SCRUBBER		
			3000		

# LINT SCRUBBER 6000



SIDE VIEW

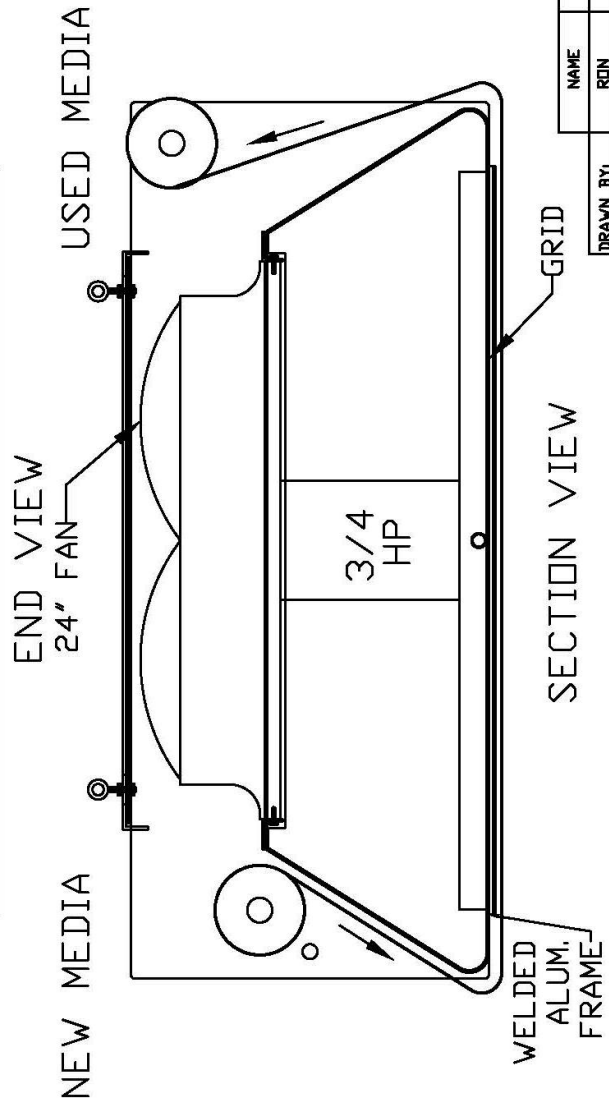
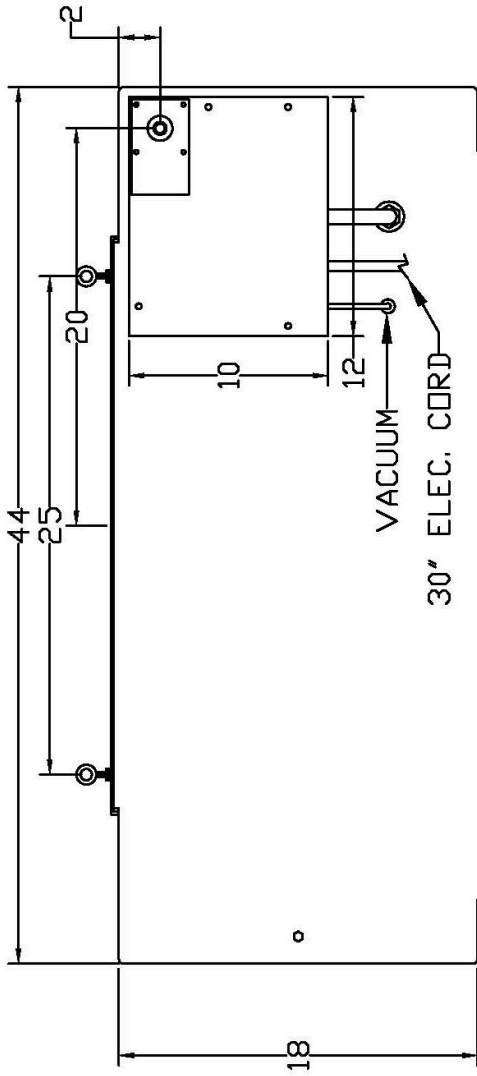


SECTION VIEW

NAME	DATE	ENERGENICS CORPORATION	
RON	4/27/11	1470 Don Street	PH (889)643-1711
ENGINEER	RON	Naples Florida 34104	FAX (889)643-4984
QUALITY	5/15/13	USA	USA (800)944-1711
SCALE		TITLE	AALF2 INSTALL-3
FULL			

DRAWING NUMBER DRAW/AALF2/AALF2-INSTALL-3

# LINT SCRUBBER 6000



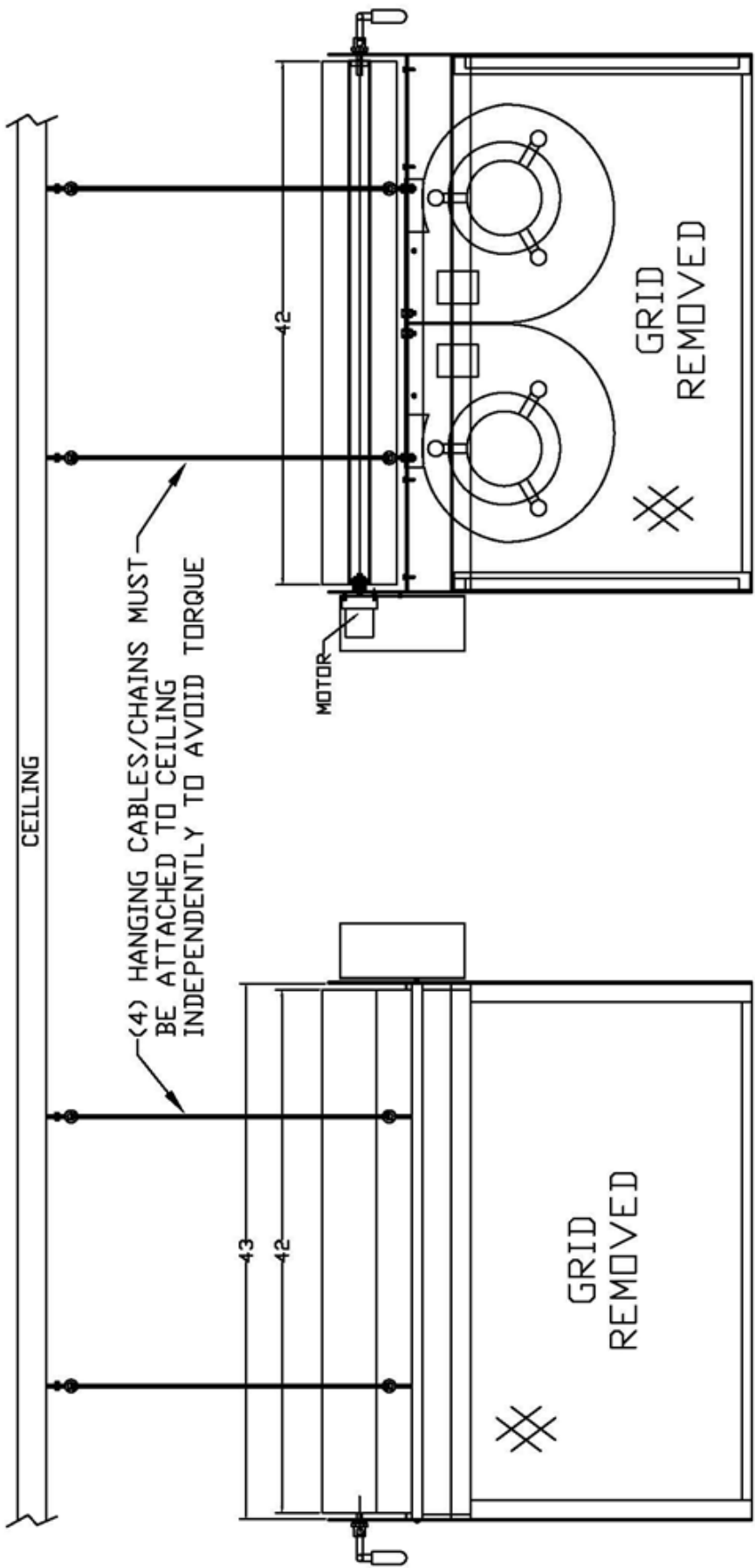
ENERGENICS CORPORATION  
 1470 Don Street  
 Naples Florida 34104 USA  
 PH (239)643-1711  
 FAX (239)643-6081  
 USA (800)944-1711

NAME	DATE
RDN	4/27/11
RDN	5/15/13
RDN	
FULL	

TITLE
AALF2 INSTALL-2

DRAWING NUMBER DRAW/AALF2/AALF2-INSTALL-2

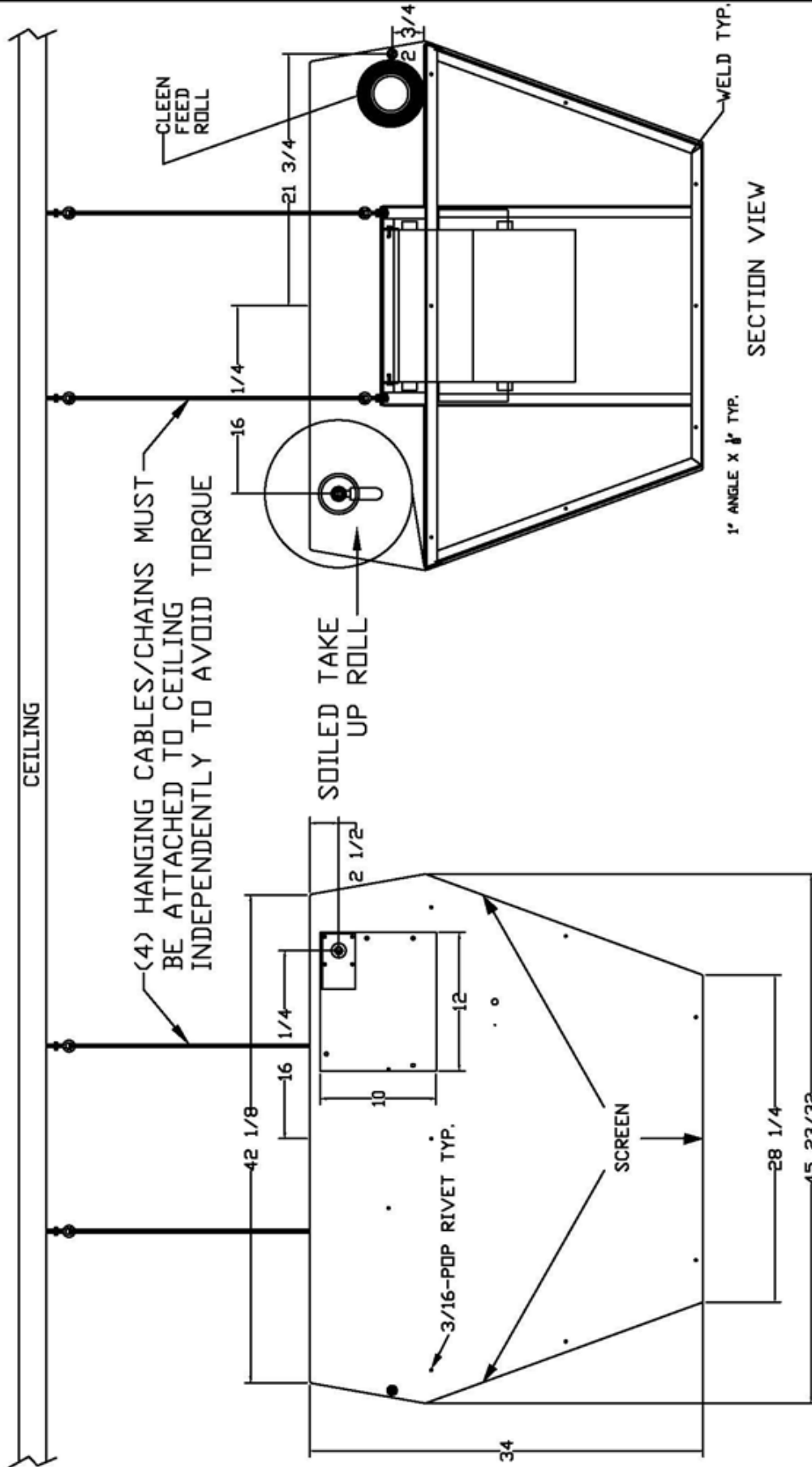
# LINT SCRUBBER 8000



## SIDE VIEWS

ENERGENICS CORPORATION PH (239)643-1711 1470 Don Street Naples Florida 34104 USA (800)944-1711	
NAME	DATE
RON	7/2/07
RON	01/27/11
TITLE	AALF (VIEW #2)
DRAWN BY:	
REVISED	
QUALITY:	
SCALE:	
DRAWING NUMBER	DRAW/AALF/VIEW #2

# LINT SCRUBBER 8000

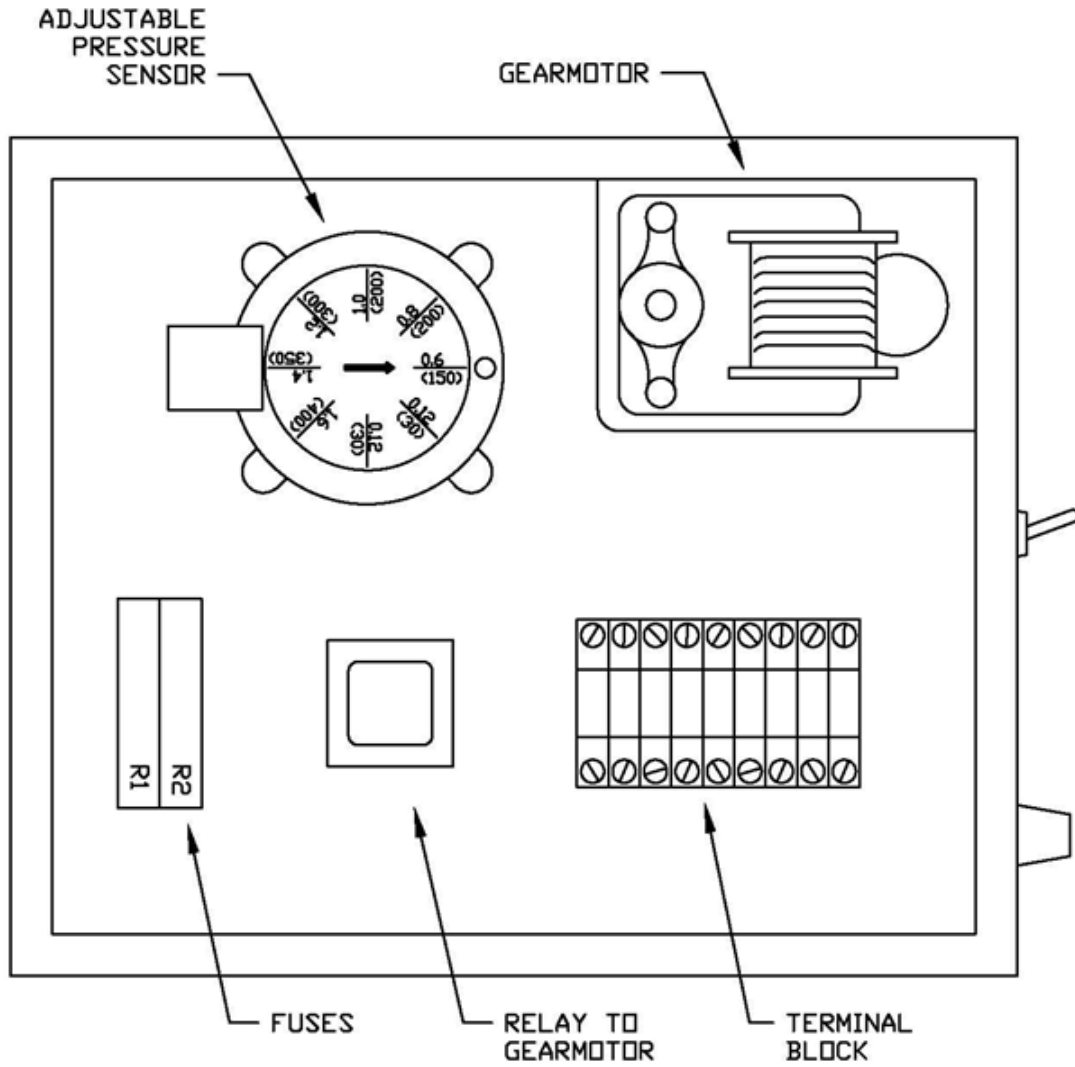


ENERGENICS CORPORATION	
1470 Don Street Naples Florida 34104 USA (800)944-1711	
PH (239)643-1711	FAX (239)643-6081
TITLE AALF (VIEW #1)	
DRAWING NUMBER DRAW/AALF/AALF VIEW #1	

NAME	DATE
RON	7/2/07
RON	05/10/11
SCALE:	

DRAWN BY:	REVISION	QUALITY:	SCALE:
RON			

END VIEW



UL® CONTROLER  
 AMBIENT AIR LINT  
 FILTER CONTROL BOX

			ENERGENICS CORPORATION	
	NAME	DATE	1470 Don Street	PH (239)643-1711
DRAWN BY:	RON	10/08	Naples Florida 34104	FAX (239)643-6081
REVISED	RON	05/11	TITLE AALF CONTROL	
QUALITY:				
SCALE:	1/2		Cad File: Z:\DRAW\AALF\AALF (CONTROL)	

## Changing the Filter Material Roll

**CAUTION: FAILURE TO REPLACE SOILED MEDIA TAKEUP ROLL WITH NEW TAKE-UP ROLL MAY RESULT IN GEAR MOTOR FAILURE!**

The filter material roll has 50 yards of material. The roll needs to be changed in two instances:

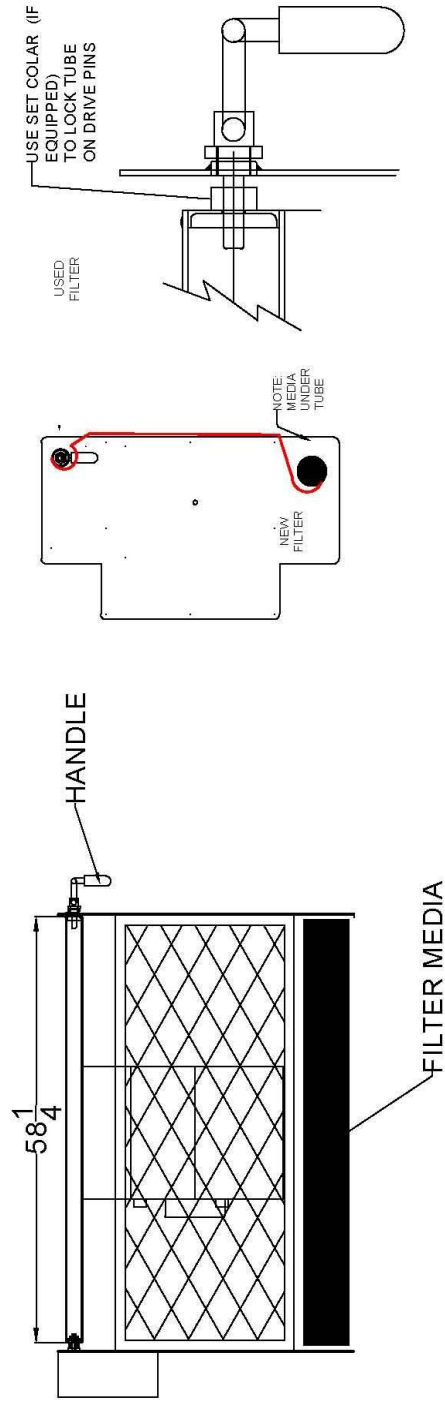
1. The entire roll of clean media is rolled up with lint on the lint take-up tube, filled with lint.
2. The lint blanket being rolled up by the lint take-up tube is too large and rubs against the top of the machine and can no longer advance. Cut the media along the clean part for reattachment using one of the extra rolls supplied with the Lint Scrubber.

To Change the Media Roll:

1. Open the red handle, pulling the pin out of the roll.
2. Slide the roll toward the red handle end and off the drive. Discard the full lint take-up roll in an environmentally acceptable manner.
3. Put the new empty take up roll in place of the discarded roll. Slide onto the pin drive end. Align the other end with the red handle pin and insert in the roll.
4. If the take up roll was too large and discarded before all the clean media was expended, re-attach the clean media to the two sided tape on the take-up roll.
5. Attached the material to the double sided tape on media roll as shown in the following 3 pages of examples depending on your model.
6. Manually advance the media until tight.

**CAUTION: FAILURE TO REPLACE FULLY SOILED MEDIA TAKEUP ROLL WITH NEW TAKE-UP ROLL MAY RESULT IN GEAR MOTOR FAILURE!**

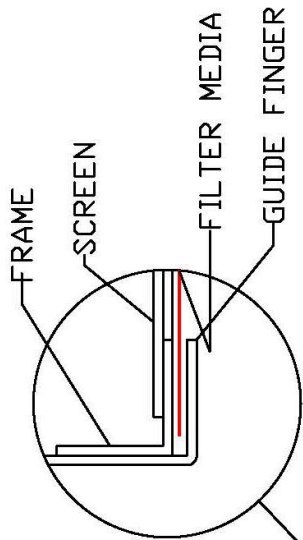
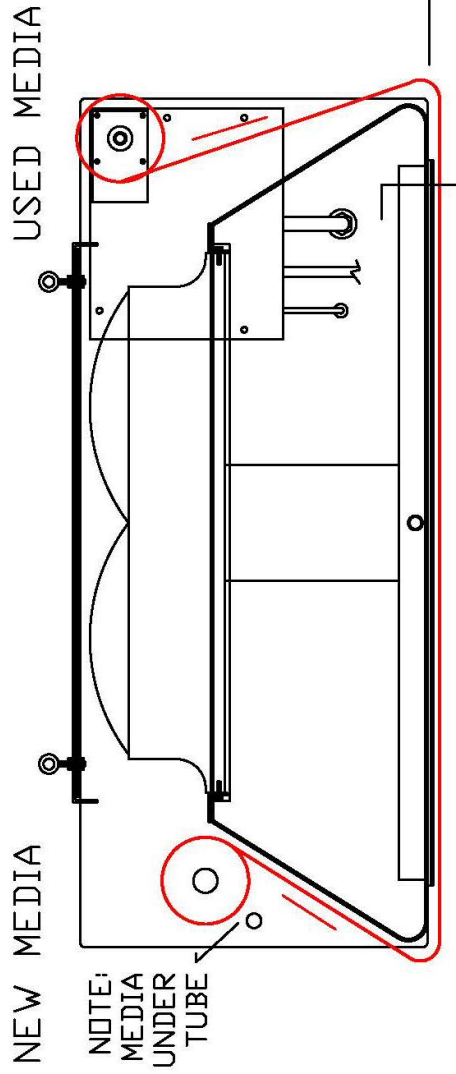
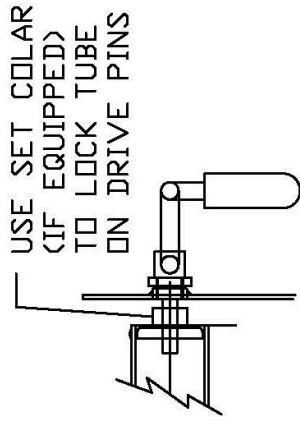
## LINT SCRUBBER 3000



END VIEW

FRONT  
VIEW

**CAUTION: FAILURE TO REPLACE FULLY SOILED MEDIA TAKEUP ROLL WITH NEW TAKE-UP ROLL MAY RESULT IN GEAR MOTOR FAILURE!**

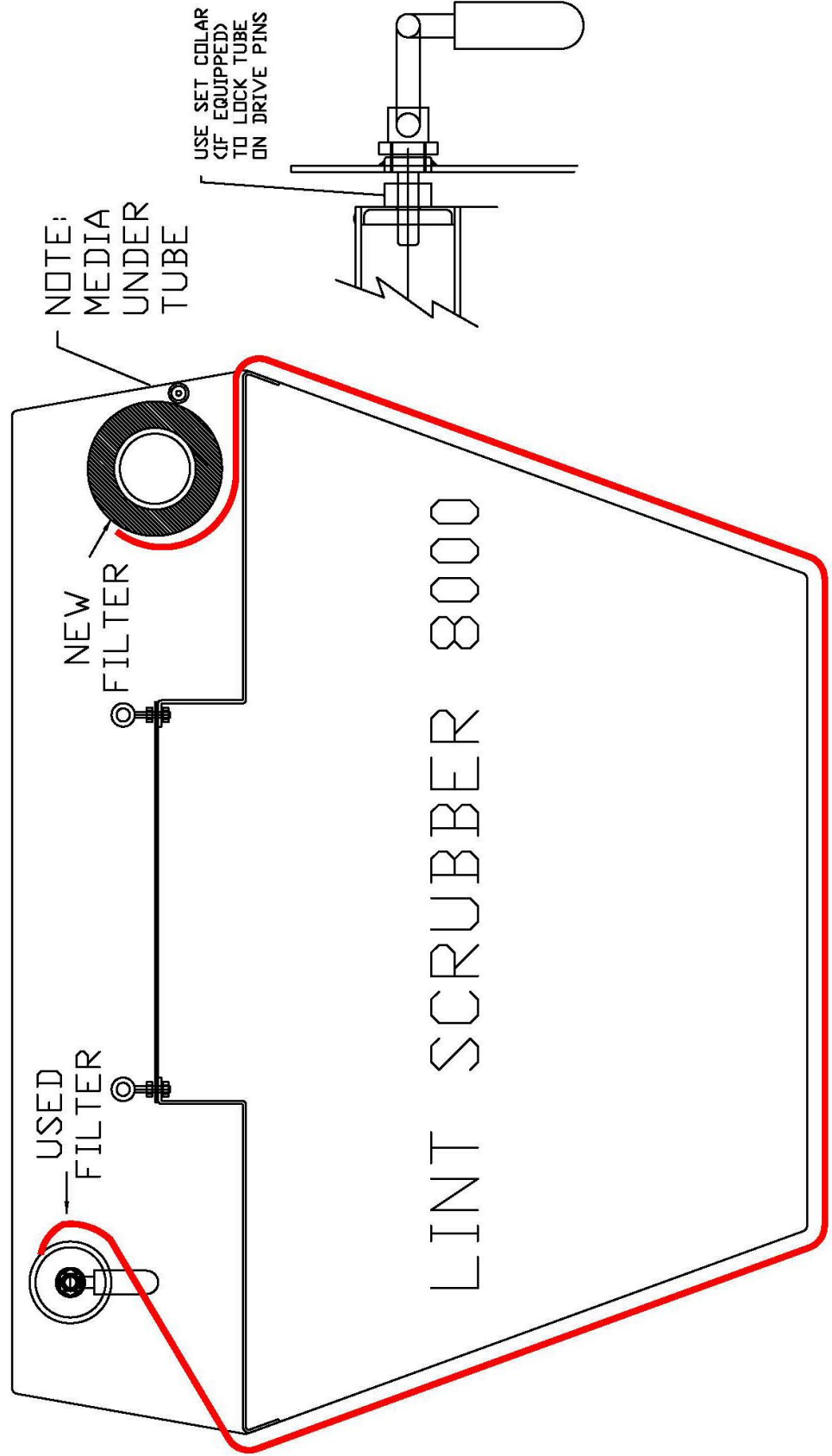


LOAD MEDIA UNDER GUIDE FINGERS AND FRAME

LOAD MEDIA AS SHOWN "UNDER AND UNDER"

# LINT SCRUBBER 6000

**CAUTION: FAILURE TO REPLACE FULLY SOILED MEDIA TAKEUP ROLL WITH NEW TAKE-UP ROLL MAY RESULT IN GEAR MOTOR FAILURE!**



## LIMITED WARRANTY & DISCLAIMER STANDARD CONDITIONS OF SALES

Energenics Corporation (herein called Energenics) warrants to the original purchaser, & to the original purchaser alone, its products to be free from defects in material and workmanship under normal use & service for a period of twenty-four (24) months from the date of shipment. Energenics' obligations under this warranty shall be limited solely to the repair or replacement of such parts, which Energenics examination shall disclose to Energenics satisfaction to have been thus defective & to the shipment of the repaired or replacement part or parts to the original purchaser F.O.B. point of shipment. In no event shall Energenics be liable for any consequential, incidental or special damages of any kind caused by the defect. The Warranty set forth shall not apply to & Energenics shall not be responsible for any equipment or part, which has been repaired or altered in any way, regardless of how or why the part was altered or repaired nor for any equipment or part, which has been subjected to the negligence or accident, improper use or care, nor for equipment or part with respect to which Energenics instructions relating to installation, maintenance, or use have not been followed. This limited warranty is expressly made in lieu of all other warranties, expressed or implied, and in lieu of all other obligations or liabilities on the part of Energenics.

The purchaser by acceptance of the delivery of any part or product from Energenics agrees to indemnify Energenics & to hold it harmless against any liability, which may arise if the part or product received is mis-applied, improperly installed, improperly maintained, misused or abused, altered or rendered partially or totally inoperative due to any cause.

**RETURNS:** Merchandise may not be returned unless a RMA is obtained from Energenics. A copy of the RMA must accompany the returned item as the packing Slip. Energenics will assume no responsibility for merchandise returned neither without such prior approval nor for any charges or expenses incurred therewith.

**CANCELLATIONS:** Any order may be canceled by the purchaser only upon written notice & upon payment to Energenics of reasonable & proper cancellation charges.

**SALES & SIMILAR TAXES:** Energenics prices do not include sales, use, gross receipts, excise or similar taxes, license fees & export or import duties. All taxes or other charges assessed to Energenics by reason of a transaction with the Purchaser must be paid by the Purchaser.

**PRICE POLICY:** All sales are made F.O.B. point of shipment and all prices are subject to change without notice.

**DESIGN CHANGES:** Energenics reserves the right to make changes in the design & changes or improvements in its products without notice or without imposing any obligation upon Energenics to install the same upon products heretofore manufactured.

**GENERAL:** No alteration, modification or extension of the foregoing conditions shall be binding upon Energenics unless made in writing & signed by an officer of Energenics.