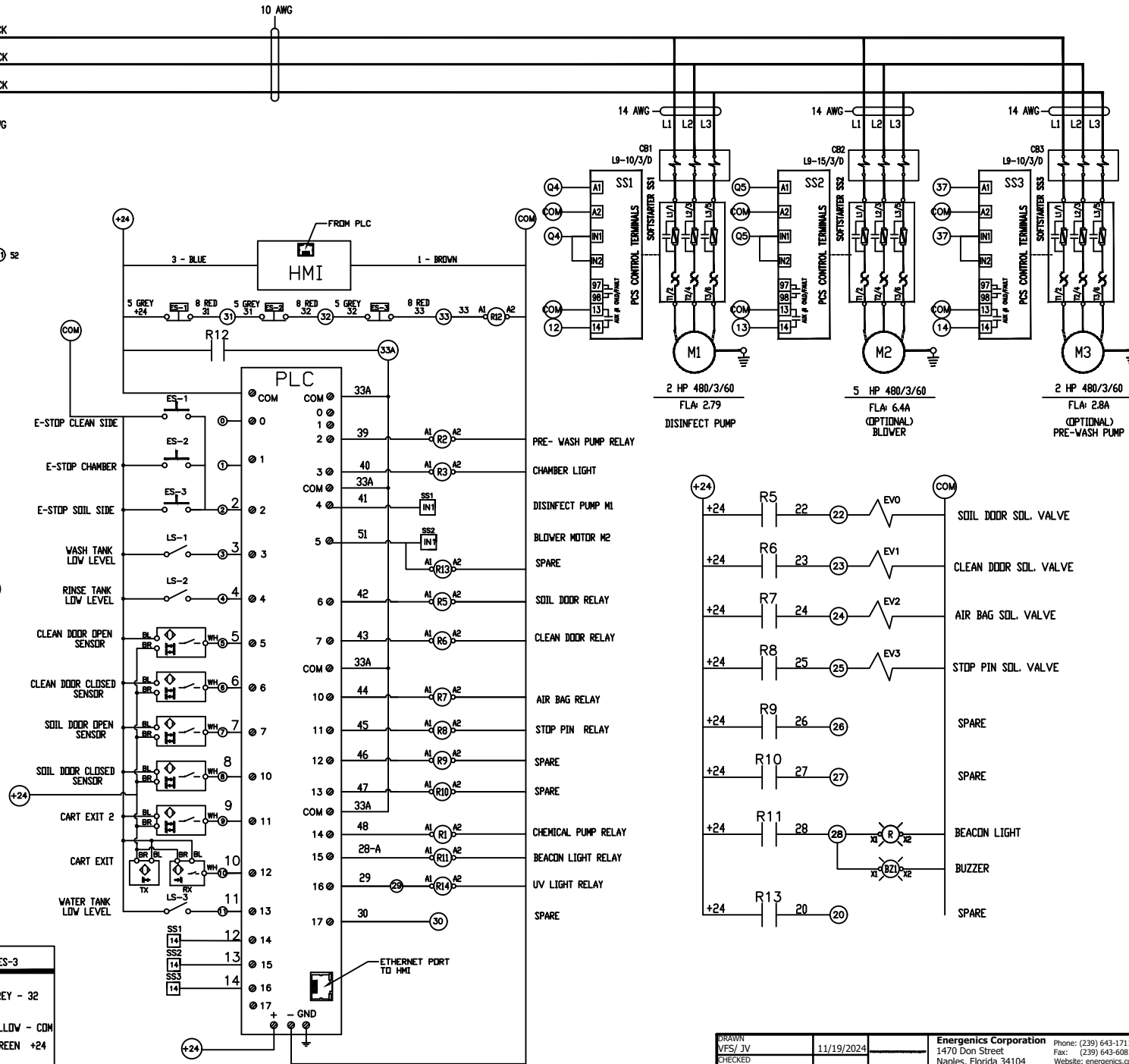


HMI PANEL MOUNTED

HAGING ON CART

M12 -4 PIN- FEMALE	M12 -4 PIN- MALE
3 - BLUE (+)	3 - BLUE +24
4 - BLACK	4 - BLACK - 34
1 - BROWN (-)	1 - BROWN - COM
2 - WHITE	2 - WHITE - 35

M12 -8 PIN- FEMALE	M12 -8 PIN- MALE (ES-1)	ES-2	ES-3
5 GREY - 32	5 GREY - +24	5 GREY - 31	5 GREY - 32
4 YELLOW - X2	4 YELLOW - COM	4 YELLOW - COM	4 YELLOW - COM
3 GREEN - X1	3 GREEN +24	3 GREEN +24	3 GREEN +24
2 BROWN - 13	2 BROWN - COM	2 BROWN - COM	2 BROWN - COM
8 RED - 31	8 RED - 31	8 RED - 32	8 RED - 33
6 PINK - 14	6 PINK - 2	6 PINK - 2	6 PINK - 2



DRAWN	VFS/ JV	11/19/2024	Energenics Corporation 1470 Don Street Naples, Florida 34104 Phone: (239) 643-1711 Fax: (239) 643-6081 Website: energenics.com
CHECKED			
DATE ENG.	JV	11/19/2024	TITLE
MFG			CART WASHER SYSTEM 480V ELECTRICAL SCHEMATICS
APPROVED			
SIZE		DWG NO	REV
SCALE	NONE	KW-480-MASTER-D.3	A
			SHEET 1 OF 1