

# CART CHAMBERS

## Hypochlorous Acid (HOCL) Cart Disinfection

### Features:

- Industry established cart disinfection system
- On-site, on-demand chemical production within the unit
- All-natural, superior chemical disinfectant
- Stainless steel /insulated dual wall construction
- Built-in mechanical chamber
- HMI touchscreen control and diagnostics
- Fully adjustable cycle times
- Pass-through entry/exit doors
- PLC based, UL listed controls and components
- Over-pit drain configuration (standard)
- Easily accessible service components
- Less than 1 gallon water per cart (standard)

### Benefits:

- Effective against the toughest bacteria and viruses
- 3-cents per gallon operating cost
- No outside purchased chemicals required
- Disinfectant can be used throughout plant
- Up to 30 carts per hour productivity rate
- Accommodates all cart types
- Leaves no residue
- Requires no daily adjustments
- Supports industry healthcare accreditations

### Disinfection:

- Dwell = 30 second disinfection
- User adjustable pH for maximum control
- 80-100 times stronger than liquid bleach
- Requires food grade salt (99.9% pure) for chemical production



DISINFECTATION  
CHAMBERS



HOCL Chamber (w/ sump, ramp)

### Utilities:

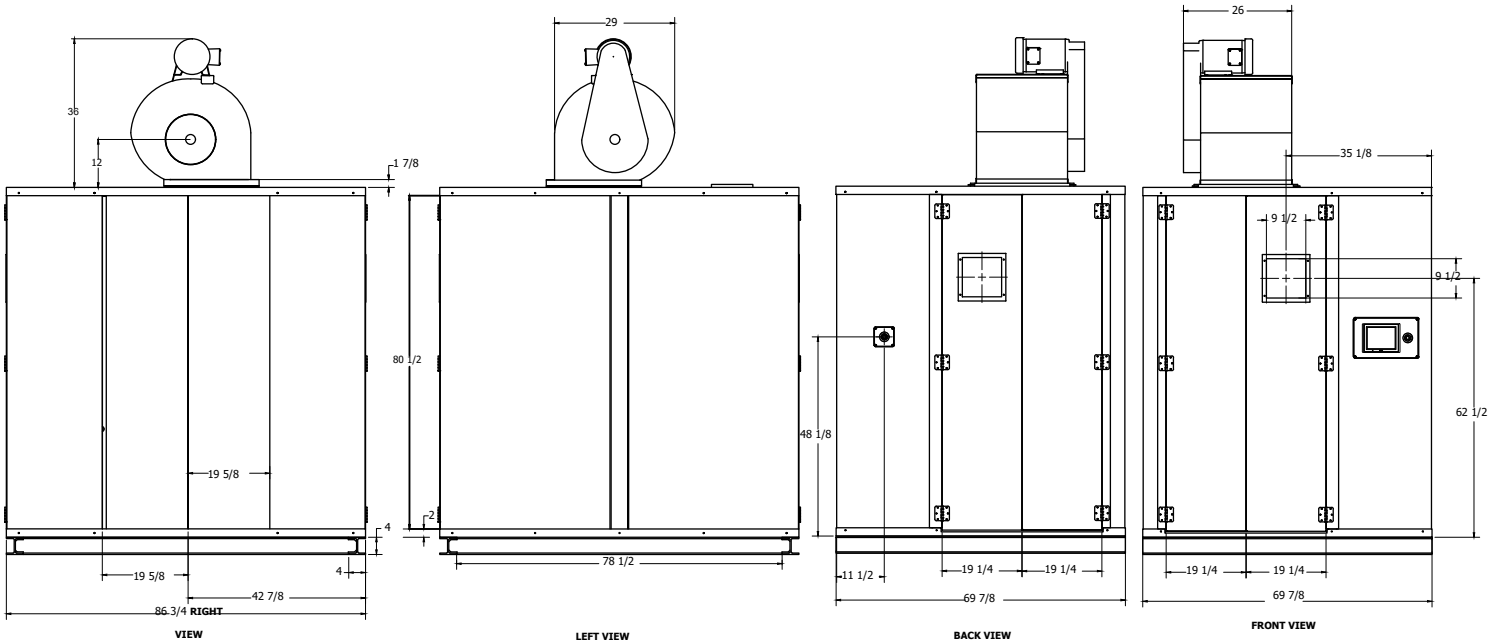
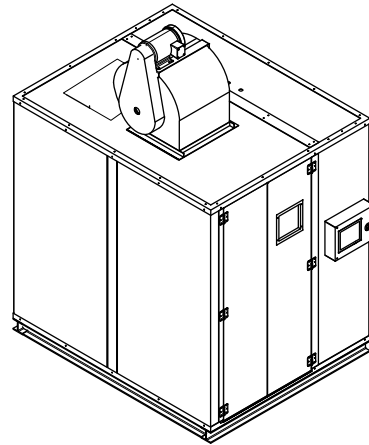
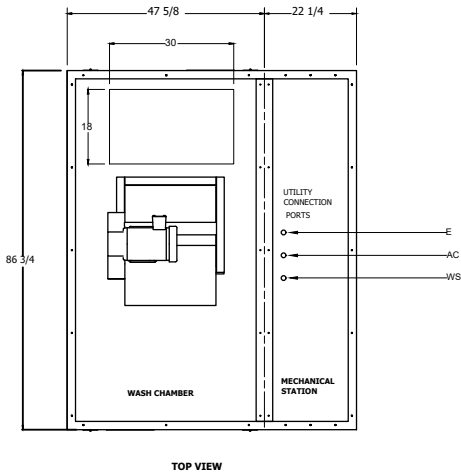
- Water
  - 1/2" NPT, 15-35 PSI
  - Required: cold\* and softened (\*below 85° F mandatory)
- Compressed Air
  - 1/2" NPT, 1 CFM @ 80 PSI
  - Filtered and Dried
  - Doors: 40 psi; Cart ejection: 80 psi
- Electrical
  - 120/60/1 20 FLA (dedicated for chemical generator)
  - 240/60/3 40 FLA, or
  - 480/60/3 20 FLA

### Added Options:

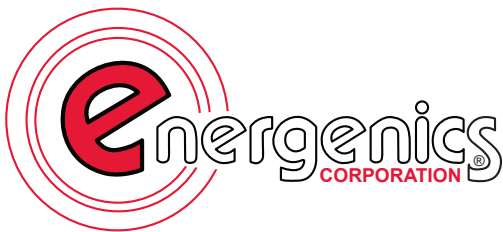
- Pre-wash cycle with additional pump and spray assembly
- Automated entry/exit doors
- Automated end-of-cycle cart ejection
- Built-in sump with ramps (for level floor installations)
- Forced air drying assist

# CART CHAMBERS

## Chamber Dimensions:



**Fully Assembled & Factory Tested**



**Ask About Our UV-C  
Chambers and Retrofit Kits!**

[www.energenics.com](http://www.energenics.com)